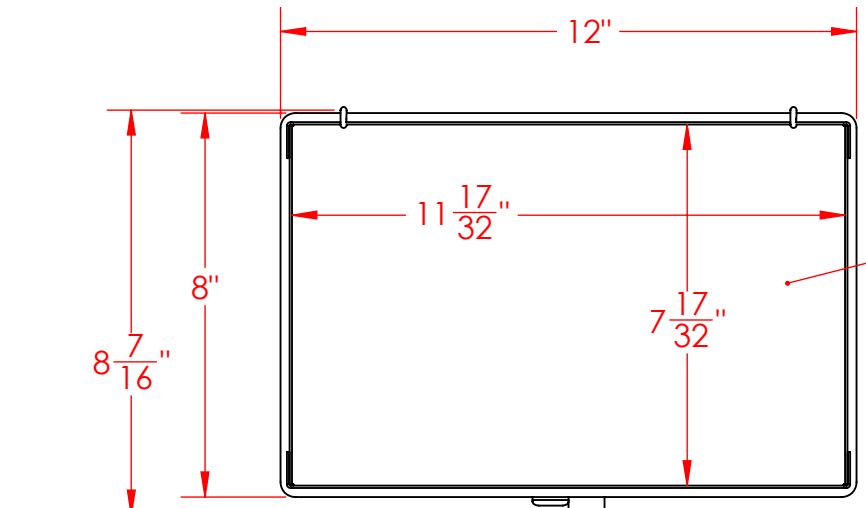


8 7 6 5 4 3 2 1

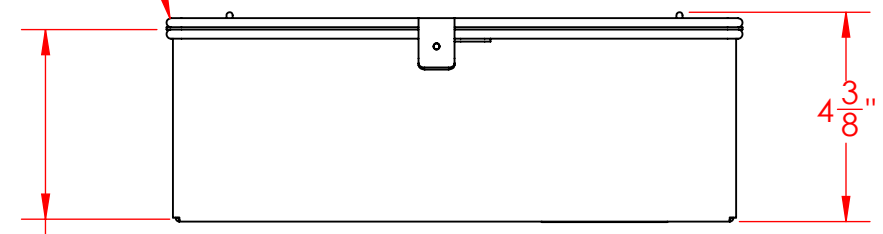
D
C
B
A

D
C
B
A

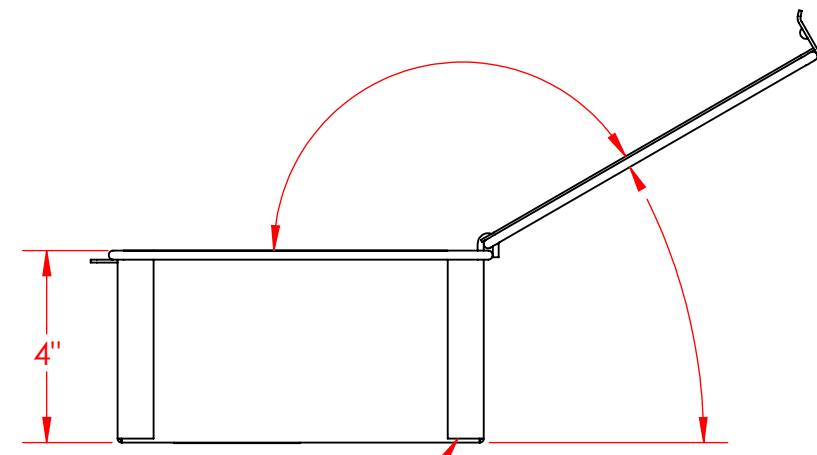


Lid Removed from View to show Approximate Inside Dimensions

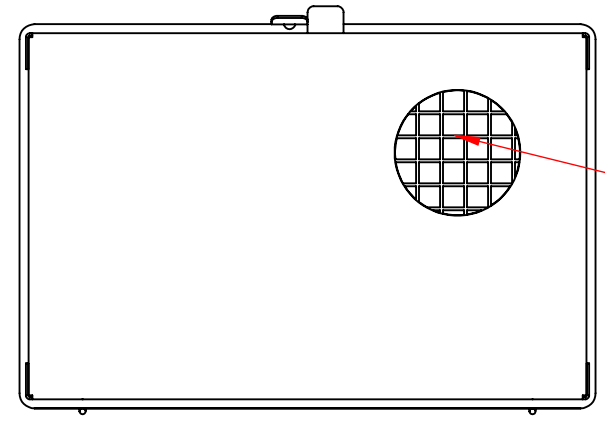
ϕ $\frac{3}{16}$ "
Rod Frame



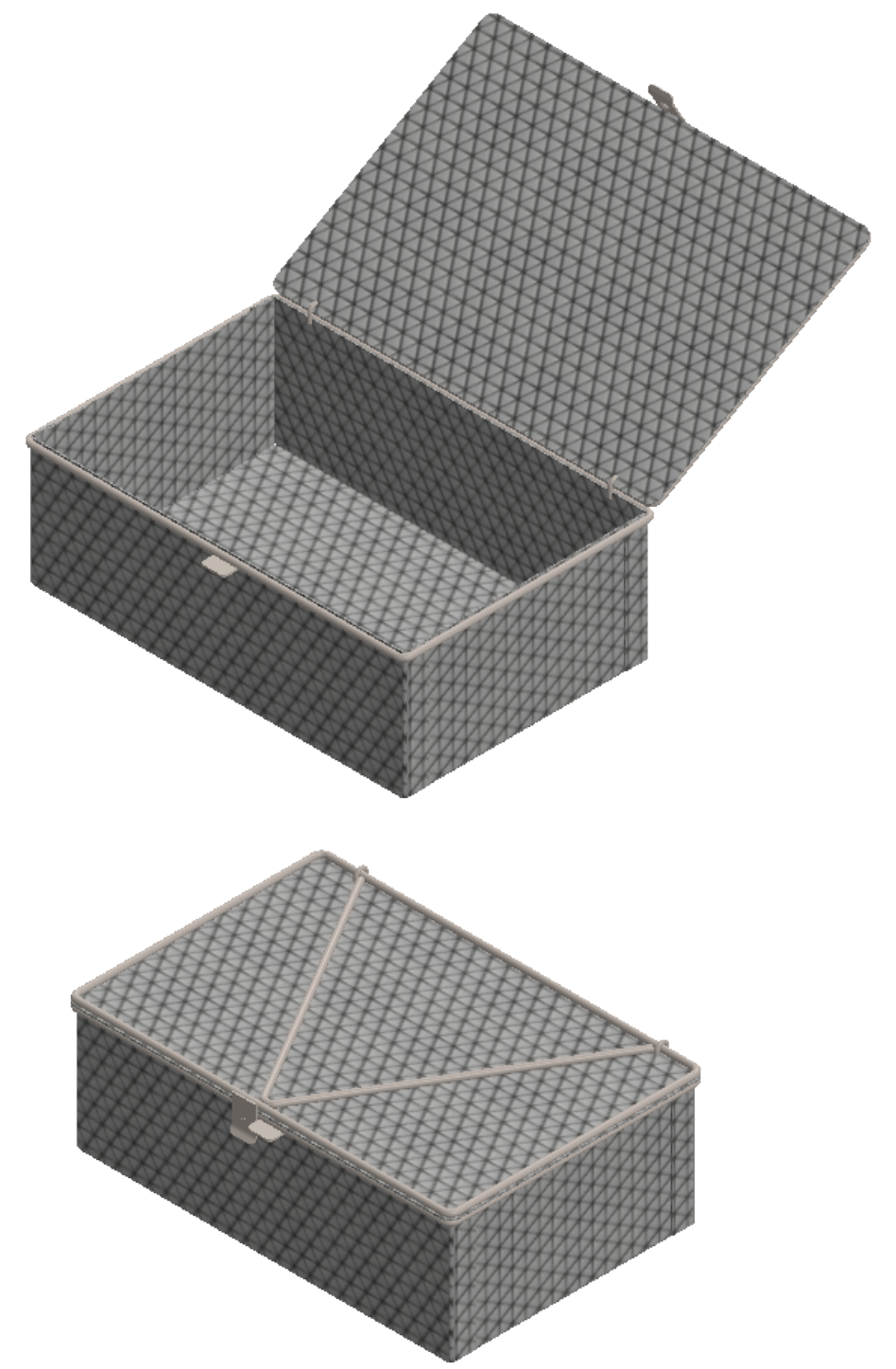
$3 \frac{15}{16}$ "
Height Under Lid



Mesh Flaps to Close and Secure Corners



One Piece Mesh Body of 2 Mesh x .063" Welded Wire (.437" Openings, 76% Open Area)



UNLESS OTHERWISE SPECIFIED:

DIMENSIONS ARE IN INCHES
TOLERANCES:
FRACTIONAL $\pm 1/16$ "
ANGULAR: ± 5 DEG.
TWO PLACE DECIMAL ± 0.03
THREE PLACE DECIMAL ± 0.015

EST WGT
2.0 lbs.

MATERIAL
304 Stainless Steel

FINISH
Natural

DO NOT SCALE DRAWING

Light Duty Mesh Basket: 12Lx8Wx4H, 304 SS, Hinged Lid with Thumb Clasp, No Handles, Mesh: 2 x .063

PROPRIETARY AND CONFIDENTIAL

THE INFORMATION CONTAINED IN THIS DRAWING IS THE SOLE PROPERTY OF THREE M TOOL. ANY REPRODUCTION IN PART OR AS A WHOLE WITHOUT THE WRITTEN PERMISSION OF THREE M TOOL IS PROHIBITED.

SIZE **B** DWG. NO. FLB-120080040-L02S

SCALE: 1:4

SHEET 1 OF 1

8 7 6 5 4 3 2 1